

Colour laser multifunction product



Lexmark X950 Series

Powerful colour performance for your workgroup.



X950de



Colour



25 cm
(10-inch)
class touch
screen



Solutions



Duplex
printing



Up to 55 ppm



Network



SRA3/12 x 18



Copy



Scan



Fax



Outstanding colour output

Make a lasting impression on your customers and do more printing in-house with vibrant, professional-quality output on a wide variety of media. With the advanced technology of the Lexmark X950 Series, you'll get high-performance tabloid multifunction capability that produces consistent colour from the first page to the last.

- ▶ 1200 x 1200 print resolution for rich vibrant colours and crisp black text.
- ▶ Match brand sensitive corporate colours on marketing collateral and within Microsoft Office with Lexmark Named Colour Replacement and PANTONE® calibration
- ▶ Lexmark Colour Care Technology to manage colour use and control costs.
- ▶ Create professional collateral materials ranging from saddle stitch booklets to folded brochures on media up to 12.6 x 48 inches.

Productive and intuitive

The Lexmark X950 Series combines high-performance printing, copying, scanning and faxing with time-saving workflow applications designed to boost your productivity.

- ▶ Print and copy at speeds up to 55 ppm black and 50 ppm colour, and scan at speeds up to 70 images per minute; time to first copy as quick as 6.4 seconds.
- ▶ Extra large, easy to navigate 25 cm (10-inch) class colour touch screen provides audible and tactile feedback to make completing tasks intuitive.
- ▶ Preloaded applications help you drive greater efficiency in your workflow.
- ▶ Scan to multiple destinations, including scan to e-mail, scan to FTP, scan to fax, scan to network, scan to USB drive, and more.

Built for business

The Lexmark X950 Series features a robust print engine designed to handle the most demanding workloads with the advanced features and flexibility you need to run your business.

- ▶ Robust connectivity makes it easy to integrate into almost any network environment.
- ▶ Simplify device monitoring and administration through the embedded web server, Lexmark Universal Print Driver, and Lexmark Markvision Enterprise.
- ▶ High-capacity hard disk, 1.2 GHz processor, and up to 2GB RAM.
- ▶ Inner Tray 2 is standard, allowing you to separate print, copy or fax output into two bins.
- ▶ Choose from multiple input options to expand capacity up to 5,140 sheets.
- ▶ Easy-to-replace aftermarket cartridges provide yields of up to 32,000¹ pages black and up to 22,000¹ pages colour



The right touch

The Lexmark e-Task colour touch screen is a key access point to your MFP. The extra large customisable 25 cm (10-inch) interface gives you the ability to preview thumbnails of documents prior to printing, as well as to change print jobs at the device. You can even view, select and print specific pages within a document directly from the touch screen. Easy-to-use, intuitive navigation provides fast access to the functions, shortcuts and workflows you use most, and through the MyMFP feature, you can tailor your device with personal settings. New interactive sensory features provide both tactile and audible feedback, helping to guide you through each operation, confirming a touch has registered and indicating an action is transpiring.

Preloaded solutions* on the X950 series:



Forms and Favorites

Eliminate waste and inefficiencies associated with preprinted forms. Store frequently printed forms, marketing materials or other documents online, then print them on demand.



Scan to Network

Scan a hardcopy document and route the image to one of 30 predefined personal or public shared network folders.



Change Language**

Easily switch the language displayed on the touch screen—18 languages supported.

Examples of solutions available through Lexmark authorised partners and dealers, or through a Lexmark Professional Services engagement:



Scan to Network Premium

This enhanced version of Scan to Network offers advanced functionality to preview, modify, enhance and index scanned documents before routing them to a shared network folder.



Showroom

Display a customisable, scrolling slideshow on the colour touch screen to promote your business or products, or to communicate important messages to your customers or employees.



Card Copy

Save time and effort in copying identification cards, licenses and insurance cards by automatically scanning, enlarging and printing both sides of a two-sided card onto one side of a sheet of paper.

* Additional solutions are available
** Opt-in to Change Language during installation



Consistent colour every time

Produce professional documents confidently in-house knowing that the named colours of your company's brand and logo will print accurately and consistently every time. Included standard with your device, users can match brand sensitive corporate colours on marketing collateral and within Microsoft Office with Lexmark Named Colour Replacement and PANTONE® calibration.

Protecting your information

From the data traveling through your network to the pages being printed, multilayered security features and built-in capabilities help you protect your devices, documents, data and network.

- ▶ Supports a variety of user authentication and authorisation controls.
- ▶ Card reader option allows users to authenticate with proximity or swipe cards.
- ▶ Advanced hard disk encryption protects sensitive data on the printer's disk drive.
- ▶ Automatic, scheduled or manual disk wiping removes latent data.
- ▶ IPSec, SNMPv3 and 802.1x network security are supported.
- ▶ Security-audit logging tracks and identifies security risks.

Easy device management

Manage your output environment effectively with Lexmark Markvision Enterprise. This free browser-based software gives you complete visibility into your entire fleet of network printers and MFPs regardless of manufacturer. Markvision Enterprise makes it easy for administrators to configure, track, view, troubleshoot and proactively manage devices throughout their lifecycle, from the moment you connect them to the network until the day you retire them.



Intuitive colour touch screen

The extra large 25 cm (10-inch) colour touch screen allows you to operate your MFP with ease through intuitive navigation and easy access to workflow solutions and shortcuts.



Direct USB

The front USB port allows for convenient walk-up printing and is compatible with many printable image file formats.



Flexible input capacity

Choose the configuration that best fits your needs, up to a maximum of 5,140 sheets.



Exceptional media handling

Ultra-reliable paper feeding lets you load up to six different types of media, including sizes up to 12.6 x 48 inches and weights up to 300 gsm.



Advanced finishing options

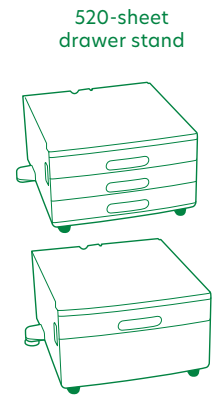
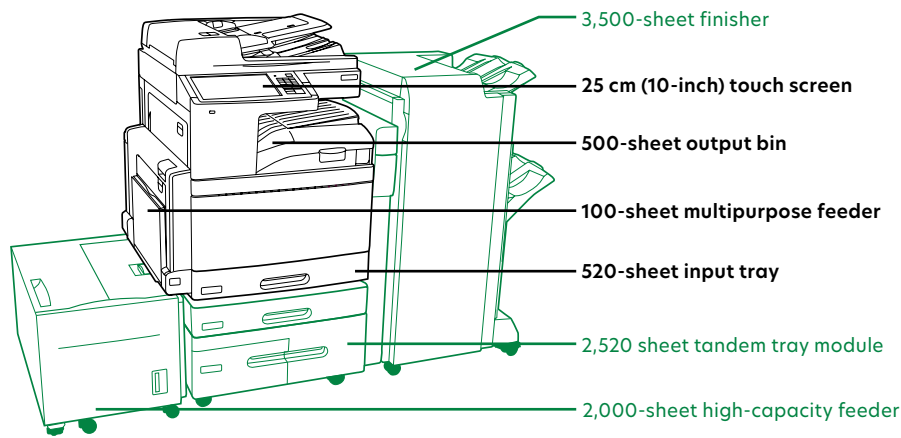
Easily create professional output in-house with flexible finishing options, including multi-position stapling, hole punch, expanded output stacking, and booklet capability.



Lexmark solutions

Reduce unnecessary printing and simplify work processes through solutions applications preloaded on your device. Choose additional Lexmark solutions to fit your unique workflow needs.

Colour laser multifunction product



- Standard
- Optional

The line art features the standard set-up that can be different per model.

X950 Series

Part #	Models
22Z0072	Lexmark X950de

Part #	Laser toner/print cartridge
X950X2KG	X95x Black Extra High Yield Toner Cartridge
X950X2CG	X95x Cyan Extra High Yield Toner Cartridge
X950X2MG	X95x Magenta Extra High Yield Toner Cartridge
X950X2YG	X95x Yellow Extra High Yield Toner Cartridge
C950X71G	C950, X95x Photoconductor Unit 1-pack
C950X73G	C950, X95x Photoconductor Unit 3-pack
C950X76G	C950, X95x Waste Toner Bottle
25A0013	Staple Cartridges (3 pack)
21Z0357	Booklet Saddle Staple Cartridges (4 pack)

Part #	Paper handling
22Z0014	C950, X95x 2520-sheet tandem tray module
22Z0013	C950, X95x 3x520-sheet drawer stand
22Z0012	C950, X95x 520-sheet drawer stand
22Z0016	C950, X95x 3500-sheet finisher (3-hole)
22Z0017	C950, X95x Booklet finisher (3-hole)
22Z0015	C950, X95x 2000-sheet high capacity feeder

Part #	Memory options
1025041	256MB DDR2-DRAM
1025042	512MB DDR2-DRAM
1025043	1024MB DDR2-DRAM
14F0245	256MB Flash Card
27X0014	160+ GB Hard Disk
30G0287	Arabic Font Card
30G0828	Japanese Font Card
30G0825	Korean Font Card
30G0826	Simplified Chinese Font Card
30G0827	Traditional Chinese Font Card

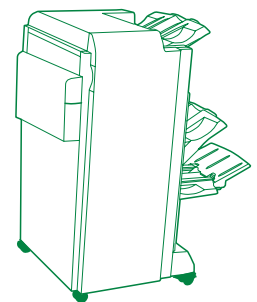
Part #	Application solutions
22Z0186	X950, X952, X954 Card for IPDS
22Z0187	X950, X952, X954 Card for PRESCRIBE Emulation
22Z0185	X950, X952, X954 Forms and Bar Code Card
57X9000	Lexmark PrintEncryption Card

Part #	Connectivity
27X0025	MarkNet N8250 802.11b/g/n Wireless Print Server
14F0042	MarkNet N8130 Fiber Ethernet 100BaseFX, 10BaseFL Print Server
1021294	USB Cable (2-meter)
14F0000	Parallel 1284-B Interface Card
1021231	Parallel Cable (10-foot)
14F0100	RS-232C Serial Interface Card

Part #	Extended warranties
2354235	X950 2-Years Total Onsite Service, Next Business Day
2354236	X950 3-Years Total Onsite Service, Next Business Day
2354237	X950 4-Years Total Onsite Service, Next Business Day
2354238	X950 5-Years Total Onsite Service, Next Business Day
2354239	X950 1-Year Onsite Service Renewal, Next Business Day
2354263	X952 2-Years Total Onsite Service, Next Business Day
2354264	X952 3-Years Total Onsite Service, Next Business Day
2354265	X952 4-Years Total Onsite Service, Next Business Day
2354266	X952 5-Years Total Onsite Service, Next Business Day
2354267	1-Year Onsite Renewal, Next Business Day
2354291	X954 2-Years Total Onsite Service, Next Business Day
2354292	X954 3-Years Total Onsite Service, Next Business Day
2354293	X954 4-Years Total Onsite Service, Next Business Day
2354294	X954 5-Years Total Onsite Service, Next Business Day
2354295	1-Year Onsite Renewal, Next Business Day

Part #	User replaceable parts
40X7540	C950, X95x 160K Maintenance Kit
40X7569	C950, X95x Fuser Maintenance Kit, 320K, 220-240V
40X7530	X95x ADF Maintenance Kit

Part #	Service parts
40X7560	C950, X95x 480K Maintenance Kit





Product specifications	Lexmark X950de	Lexmark X952de	Lexmark X954de
Print			
Display	Lexmark e-Task 10-inch (25 cm) class color touch screen		
Print Speed: Up to	Black: 45 ppm / Colour: 40 ppm	Black: 50 ppm / Colour: 45 ppm	Black: 55 ppm / Colour: 50 ppm
Time to First Page: As fast as	Black: 5.5 seconds / Colour: 7.7 seconds	Black: 5.2 seconds / Colour: 7.7 seconds	Black: 5.0 seconds / Colour: 7.2 seconds
Print Resolution	Black: 1200 x 1200 dpi, 2400 Image Quality / Colour: 1200 x 1200 dpi, 2400 Image Quality		
Memory	Standard: 1024 MB / Maximum: 2048 MB		Standard: 2048 MB / Maximum: 2048 MB
Hard Disk	Included in configuration		
Recommended Monthly Page Volume ⁴	5000 - 33000 pages		
Maximum Monthly Duty Cycle: Up to ³	200000 pages per month	225000 pages per month	250000 pages per month
Copy			
Copy Speed: Up to	Black: 45 cpm / Colour: 40 cpm	Black: 50 cpm / Colour: 45 cpm	Black: 55 cpm / Colour: 50 cpm
Time to First Copy: as fast as	Black: 7.1 seconds / Colour: 10.4 seconds	Black: 6.8 seconds / Colour: 10.4 seconds	Black: 6.4 seconds / Colour: 9.9 seconds
Scan			
Scanner Type / ADF Scan	Flatbed scanner with ADF / RADF (reversing Duplex)		
A4/Ltr Duplex Scan Speed: Up to	Black: 38 / 37 sides per minute / Colour: 38 / 37 sides per minute		
A4/Ltr Simplex Scan Speed: Up to	Black: 68 / 70 sides per minute / Colour: 53 / 53 sides per minute	Black: 68 / 70 sides per minute / Colour: 52 / 52 sides per minute	
Fax			
Modem Speed	33.6 Kbps		
Supplies			
Supplies Yield ¹	22,000-page Colour (CMY) Toner Cartridges, 32,000-page Black Toner Cartridge		
Photoconductor Estimated Yield: Up to ²	115000 pages, based on 3 average letter/A4-size pages per print job and ~ 5% coverage		
Cartridge(s) Shipping with Product ¹	11,000-page Colour (CMY) Starter Toner Cartridges, 16,000-page Black Starter Toner Cartridge		
Paper Handling			
Paper Handling Standard	500-Sheet Output Bin, Integrated Duplex, 100-Sheet Multipurpose Feeder, 520-Sheet Input Tray		
Paper Handling Optional	Banner Media Tray, 2,000-Sheet High Capacity Feeder, 3,500-Sheet Finisher, 3 x 520-Sheet Drawer Stand, Booklet Finisher, 2,520-Sheet Tandem Tray Module, 520-Sheet Drawer Stand		
Paper Input Capacity: Up to	Standard: 620 pages 75 gsm bond / Maximum: 5140 pages 75 gsm bond		
Paper Output Capacity: Up to	Standard: 500 pages 75 gsm bond / Maximum: 3750 pages 75 gsm bond		
Media Types Supported	Card Stock, Envelopes, Glossy paper, Labels, Plain Paper, Transparencies, Refer to the Card Stock & Label Guide.		
Media Sizes Supported	10 Envelope, 7 3/4 Envelope, A3, A4, A5, C5 Envelope, DL Envelope, Executive, Folio, JIS-B4, JIS-B5, Ledger, Legal, Letter, Statement, Universal, Super Tabloid (305 x 457 mm), Oficio, A6		
General Information			
Standard Connectivity	USB 2.0 Specification Hi-Speed Certified (Type B), Front USB 2.0 Specification Hi-Speed Certified port (Type A), Rear USB 2.0 Specification Hi-Speed Certified port (Type A), Ethernet 10/100/1000 BaseTX (RJ-45)		
Optional Network Ports / Optional Local Ports	Internal MarkNet™ N8130 Fiber Fast Ethernet, Internal MarkNet™ N8250 802.11b/g/n Wireless / Internal RS-232C serial, Internal 1284-B Bidirectional Parallel		
Noise Level: Operating	Print: 52 dBA / Copy: 55 dBA / Scan: 55 dBA		Print: 53 dBA / Copy: 55 dBA / Scan: 54 dBA
Specified Operating Environment	Altitude: 0 - 2500 Meters (8,200 Feet), Temperature: 10 to 32°C, Humidity: 15 to 85% Relative Humidity	Temperature: 10 to 32°C, Altitude: 0 - 2300 Meters (7,545 Feet), Humidity: 15 to 85% Relative Humidity	Altitude: 0 - 2500 Meters (8,200 Feet), Temperature: 10 to 32°C, Humidity: 15 to 85% Relative Humidity
Product Guarantee	1-Year Onsite Service, Next Business Day		
Size (mm - H x W x D) / Weight	762 x 640 x 685 mm / 116.0 kg		

¹Average continuous black or continuous composite CMY declared cartridge yield up to this number of standard pages in accordance with ISO/IEC 19798. ²Actual Yield may vary based on other factors such as device speed, paper size and feed orientation, toner coverage, tray source, percentage of black-only printing and average print job complexity. ³Maximum Monthly Duty Cycle³ is defined as the maximum number of pages a device could deliver in a month using a multishift operation. This metric provides a comparison of robustness in relation to other Lexmark printers and MFPs. ⁴Recommended Monthly Page Volume⁴ is a range of pages that helps customers evaluate Lexmark's product offerings based on the average number of pages customers plan to print on the device each month. Lexmark recommends that the number of pages per month be within the stated range for optimum device performance, based on factors including: supplies replacement intervals, paper loading intervals, speed, and typical customer usage.

This is a Class A device according to the FCC Rules and EN 55022/EN 55032 emissions standards. This device is not intended for use in residential or domestic environments due to potential interference to radio communications.



www.lexmark.com

© 2016 Lexmark and the Lexmark logo are trademarks of Lexmark International, Inc., registered in the United States and/or other countries. All other trademarks are the property of their respective owners. ENERGY STAR® is a U.S. registered mark.

AirPrint and the AirPrint logo are trademarks of Apple Inc.